

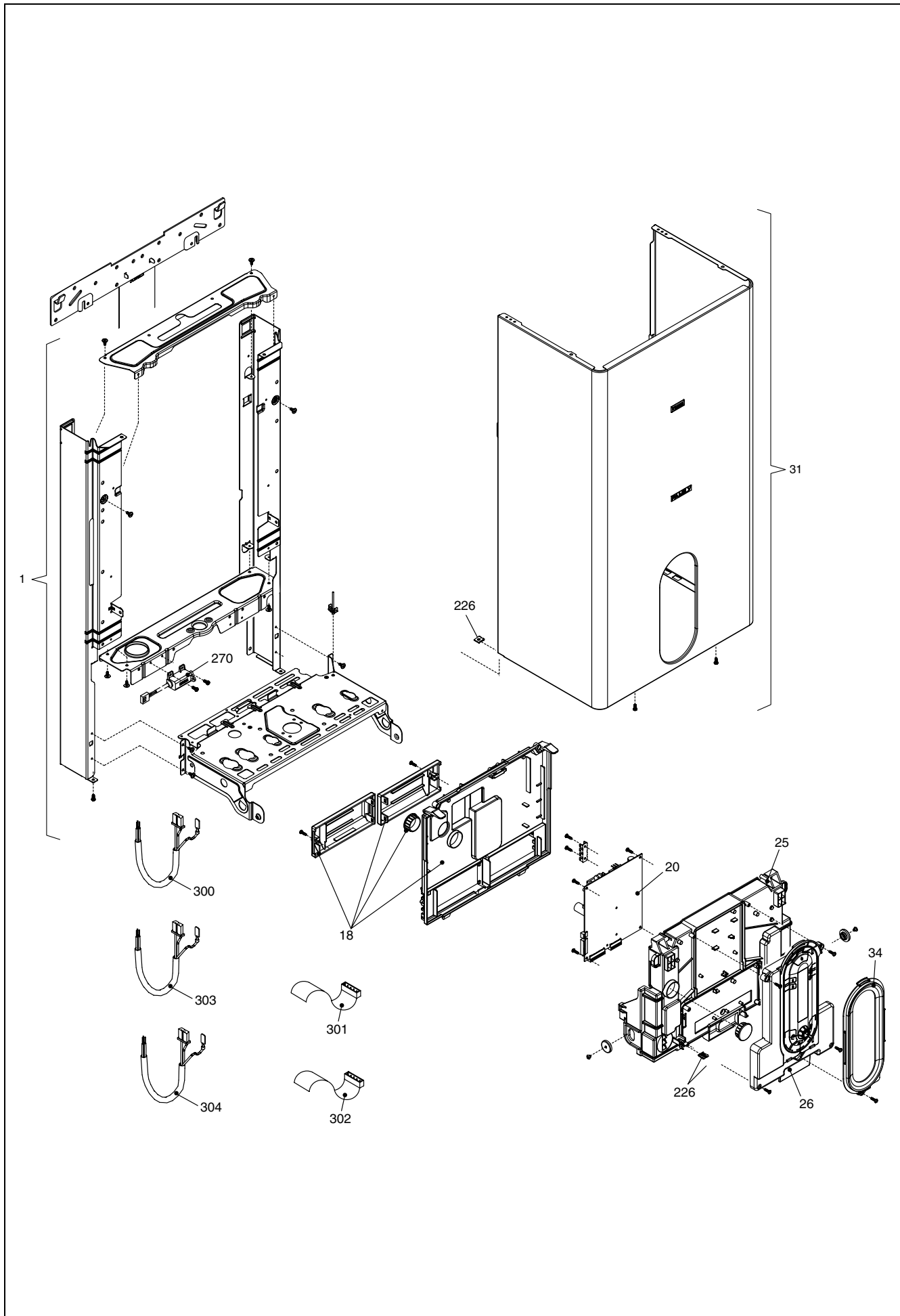


Wall hung boilers

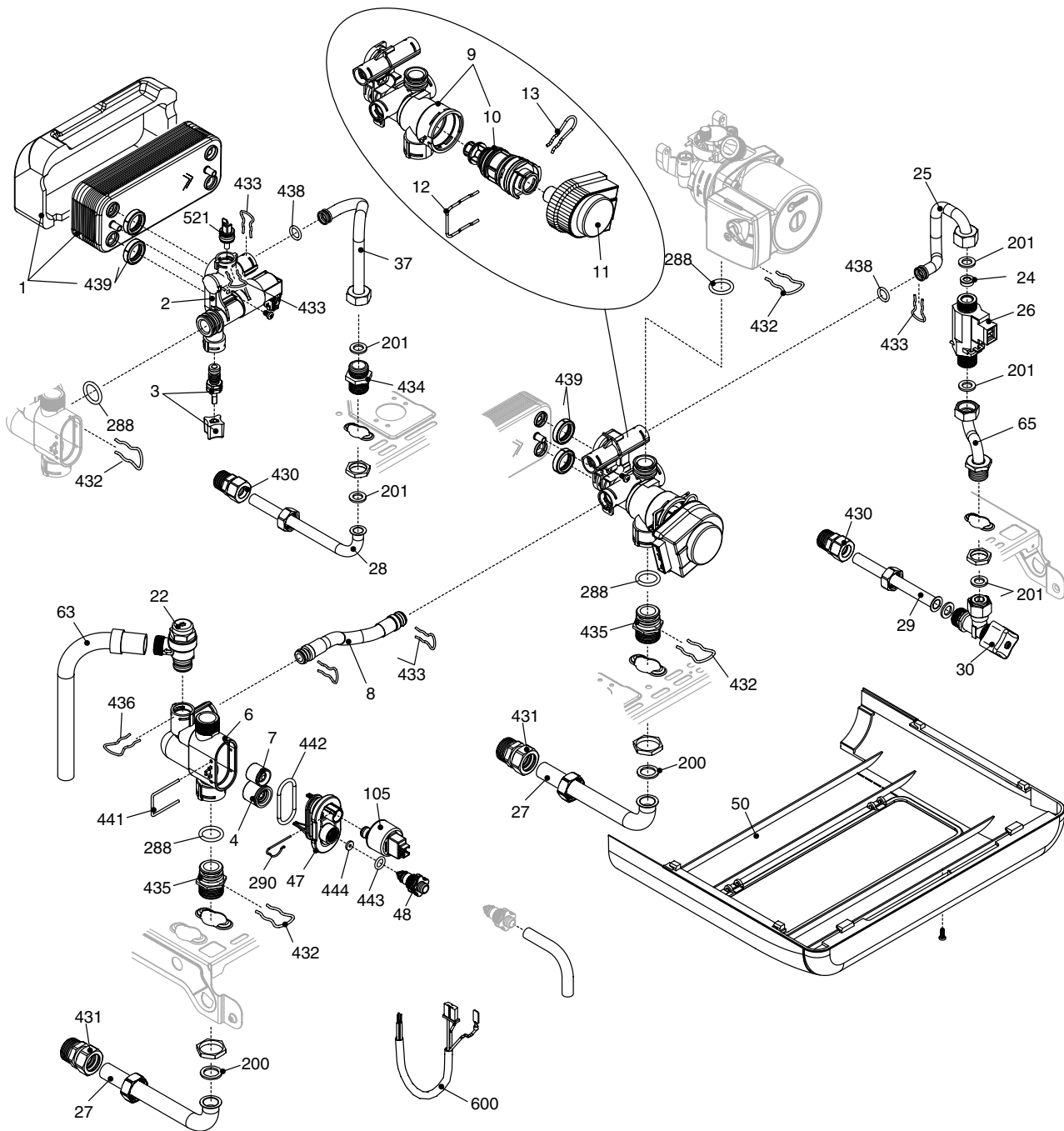
Family KIS



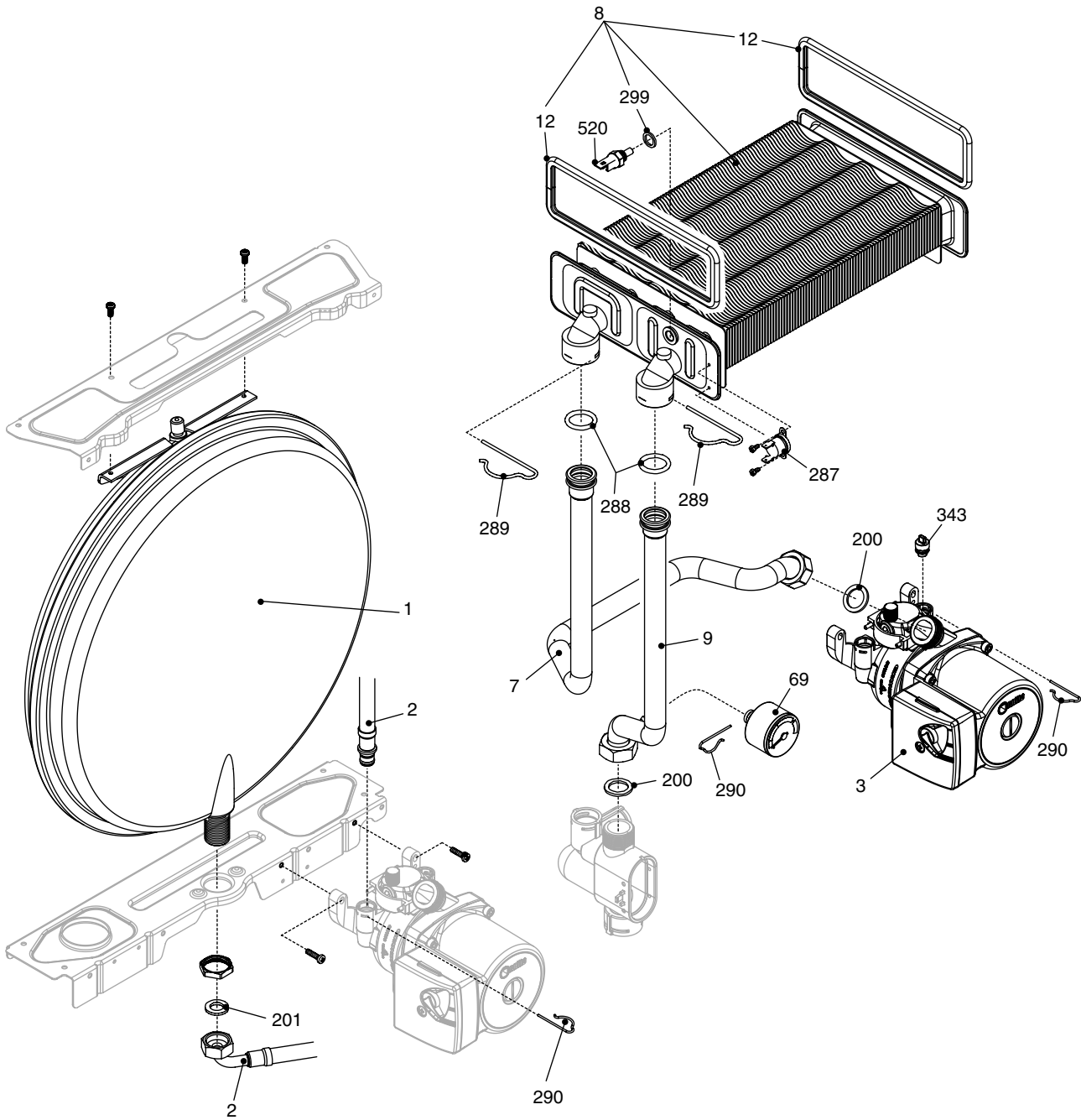
| MODEL | PART NUMBER | |
|---------------|---------------|---------------|
| | MTN | GPL |
| Family 26 Kis | 2970183 (B9Z) | 2970185 (B1W) |
| Family 30 Kis | 2970193 (B2W) | 2970195 (B3W) |



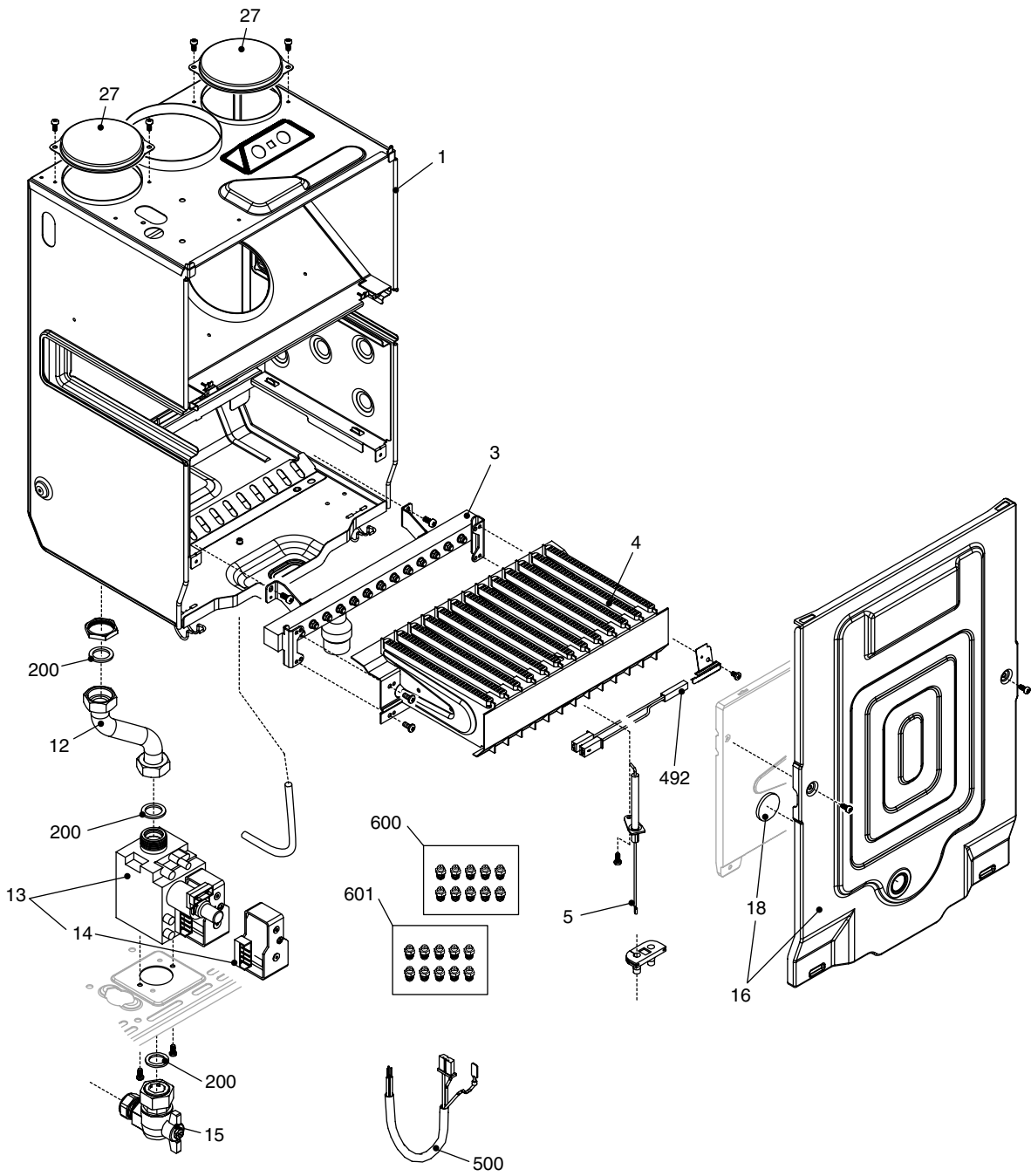
| POS. | DESCRIPTION | 26 | 30 |
|------|--|-----------|-----------|
| 1 | Frame assembly | R01005353 | R01005355 |
| 18 | Cover | R10025843 | R10025843 |
| 20 | Printed circuit board AB01B | R10029772 | R10029772 |
| 25 | Cover | R10025842 | R10025842 |
| 26 | Instrumental panel AF01B | R10027251 | R10027251 |
| 31 | Case | R10026431 | R10026442 |
| 34 | Fixing flange | R10026671 | R10026671 |
| 226 | Clip | R5128 | R5128 |
| 270 | Ignition transformer TR2 | R10021272 | R10021272 |
| 300 | Current supply wiring harness | R10025869 | R10025869 |
| 301 | Low tension cable | R10026428 | R10026428 |
| 302 | Electric connection band 8 ITRF06 | R10026429 | R10026429 |
| 303 | Electric connection band | R10026430 | R10026430 |
| 304 | Terminal blok low voltage Wiring harness | R10029959 | R10029959 |



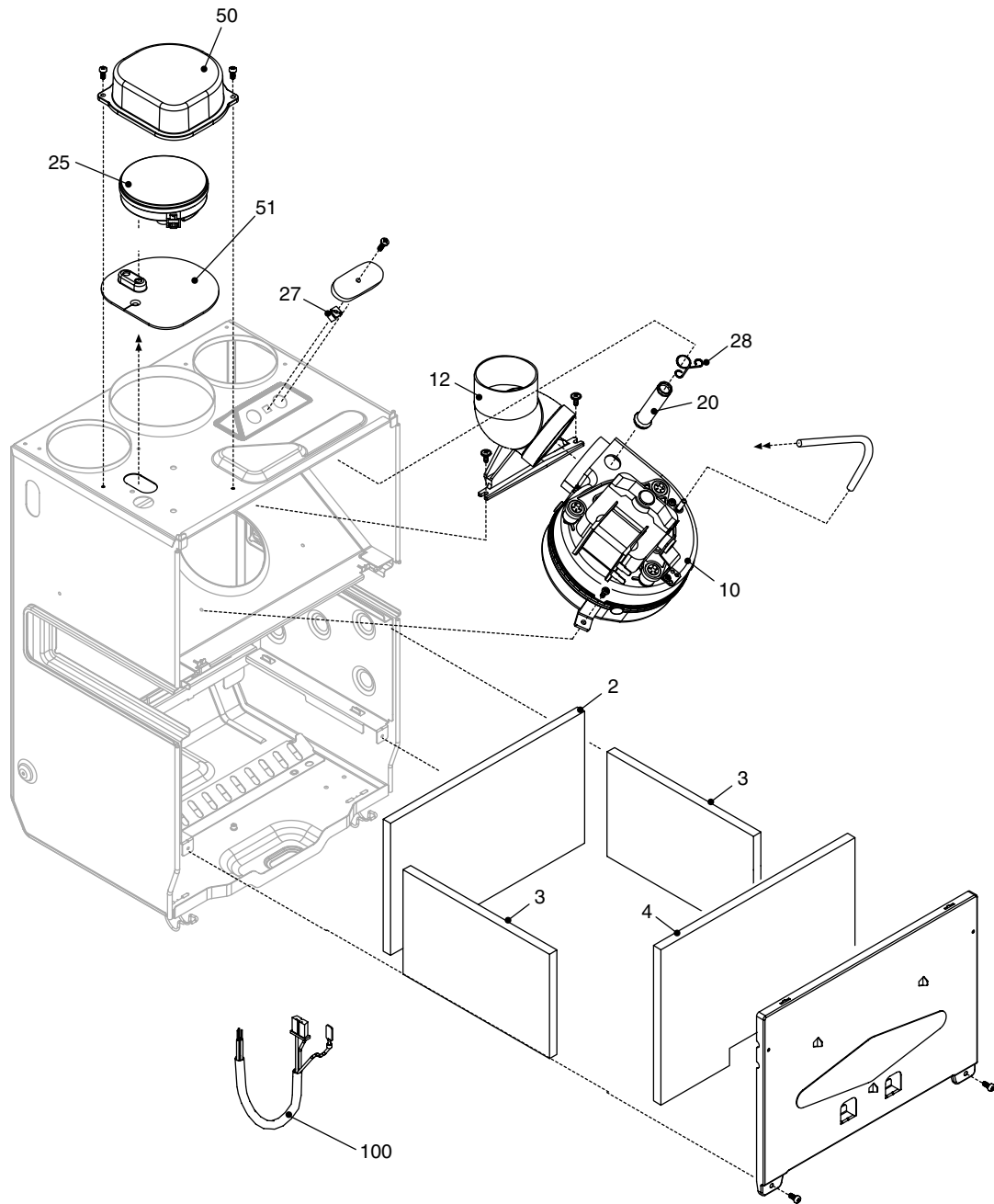
| POS. | DESCRIPTION | 26 | 30 |
|------|----------------------------|-----------|-----------|
| 1 | Exchanger | R8037 | R1957 |
| 2 | Union | R10026858 | R10026858 |
| 3 | Filling cock | R10025060 | R10025060 |
| 4 | Non return valve | R10025056 | R10025056 |
| 6 | By-pass casing | R10024642 | R10024642 |
| 7 | Heating by-pass valve | R2047 | R2047 |
| 8 | Pipe | R10026193 | R10026193 |
| 9 | Heating manifold | R10026506 | R10026506 |
| 10 | 3 way valve cartridge | R10025305 | R10025305 |
| 11 | Actuator | R10025304 | R10025304 |
| 12 | Clip | R10025450 | R10025450 |
| 13 | Clip | R10025449 | R10025449 |
| 22 | Safety valve | R10025055 | R10025055 |
| 24 | Flow governor | R10026045 | R10026041 |
| 25 | Pipe | R10026423 | R10026423 |
| 26 | Dhw actuator | R10022348 | R10022348 |
| 27 | Pipe | R10024961 | R10024961 |
| 28 | Pipe | R10024962 | R10024962 |
| 29 | Pipe | R10024963 | R10024963 |
| 30 | Water supply stop cock | R1888 | R1888 |
| 37 | Pipe | R10026424 | R10026424 |
| 47 | Cover for by-pass assembly | R10024643 | R10024643 |
| 48 | Cock | R10024646 | R10024646 |
| 50 | Cover | R10026434 | R10026384 |
| 63 | Pipe | R10025058 | R10025058 |
| 65 | Pipe | R10026422 | R10026422 |
| 105 | Pressure transductor | R10028142 | R10028142 |
| 200 | Washer | R5023 | R5023 |
| 201 | Washer | R5026 | R5026 |
| 288 | Ring | R6898 | R6898 |
| 290 | Clip | R2165 | R2165 |
| 430 | Connection | R10025089 | R10025089 |
| 431 | Connection | R10025090 | R10025090 |
| 432 | Clip | R10024958 | R10024958 |
| 433 | Clip | R10024986 | R10024986 |
| 434 | Nipple | R10024985 | R10024985 |
| 435 | Fitting/union | R10025059 | R10025059 |
| 436 | Clip | R10025062 | R10025062 |
| 438 | O ring | R10024988 | R10024988 |
| 439 | Washer | R10025067 | R10025067 |
| 441 | Clip | R10025063 | R10025063 |
| 442 | O ring | R10025065 | R10025065 |
| 443 | O ring | R10025064 | R10025064 |
| 444 | Washer | R10025066 | R10025066 |
| 521 | NTC sensor | R10027351 | R10027351 |
| 600 | Control cable | R10026426 | R10026426 |



| POS. | DESCRIPTION | 26 | 30 |
|------|-----------------------|-----------|-----------|
| 1 | Expansion vessel | R2204 | R2204 |
| 2 | Pipe | R10025188 | R10025188 |
| 3 | Pump | R10027572 | R10027572 |
| 7 | Pipe | R10026420 | R10026440 |
| 8 | Heat exchanger | 20005146 | 20004774 |
| 9 | Pipe | R10027142 | R10027141 |
| 12 | Washer | R2226 | R2226 |
| 69 | Pressure gauge | R10027135 | R10027135 |
| 200 | Washer | R5023 | R5023 |
| 201 | Washer | R5026 | R5026 |
| 287 | High limit thermostat | R2258 | R2258 |
| 288 | Ring | R6898 | R6898 |
| 289 | Clip | R2223 | R2223 |
| 290 | Clip | R2165 | R2165 |
| 299 | Washer | R10022726 | R10022726 |
| 343 | Plug | R2216 | R2216 |
| 520 | NTC sensor | 20004832 | 20004832 |



| POS. | DESCRIPTION | 26 | 30 |
|------|-------------------------------|-----------|-----------|
| 1 | Roomsealed chamber | R10025834 | R10026352 |
| 3 | Main burner injector manifold | R10024742 | R10026350 |
| 4 | Burner | R10026102 | R10026349 |
| 5 | Spark / ignition electrode | R10025985 | R10025985 |
| 12 | Gas pipe | R10026419 | R10026419 |
| 13 | Gas valve | R10021021 | R10021021 |
| 14 | Gas valve solenoid | R10020838 | R10020838 |
| 15 | 3/4" gas cock | R2266 | R2266 |
| 16 | Cover assembly | R10024779 | R10023928 |
| 18 | Glass | R10021558 | R10021558 |
| 27 | Plug | R10023805 | R10023805 |
| 200 | Washer | R5023 | R5023 |
| 492 | Thermostat | R10026721 | R10026721 |
| 500 | Gas valve cable | R10025872 | R10025872 |
| 600 | Ng conversion kit | R01005225 | R01005225 |
| 601 | LPG conversion kit | R01005500 | R01005407 |



| POS. | DESCRIPTION | 26 | 30 |
|------|-------------------------------------|-----------|-----------|
| 2 | Back insulatin panel | R2230 | R10023909 |
| 3 | Combustion chamber insulation panel | R2231 | R2231 |
| 4 | Combustion chamber insulation panel | R2232 | R10023910 |
| 10 | Fan | R10026104 | R10027217 |
| 12 | Fan connection | R10021972 | R10021972 |
| 20 | Fumes testing connection pipe | R10021973 | R10021973 |
| 25 | Pressure differential switch | R2677 | R2677 |
| 27 | Screw | R10020625 | R10020625 |
| 28 | Clip | R10020626 | R10020626 |
| 50 | Pressure diff.switch cover | R10025835 | R10025835 |
| 51 | Washer | R10025836 | R10025836 |
| 100 | Combustion cable | R10025868 | R10025868 |

| Rev. | data | Descrizione |
|-------------|-------------|----------------------------|
| 1.0 | 27/08/08 | E00120080282 : scambiatore |
| | | |
| | | |
| | | |



Riello reserve the right to change the specifications without prior notice.
Consumers' statutory rights are not affected.